

KAMAMI

ZL8AVR



Rev. 20200924104855

Źródło: <https://wiki.kamamilabs.com/index.php/ZL8AVR>

Spis treści

Introduction	1
Features	2
Contents of the package	3
Complete schematic	4
dipAVR module	6
Power supply	8
Keyboard	10
LEDs	13
Alphanumeric LCD display	16
RS232 and USB interfaces	19
MMC card connector	21
JTAG connector	24
I/O headers	26

Introduction

ZL8AVR is a versatile evaluation board designed for engineers and hobbyists who want to prototype systems based on AVR ATmega microcontrollers. ZL8AVR is prepared to operate with dipAVR mini-modules (ZL7AVR, ZL12AVR). Board's configuration is complete and user can find on the board the following components: USB interface connector (for ZL1USB module), RS232 interface with DB9F connector, simple keyboard (4 buttons), 8 LEDs, JTAG connector and socket for LCD display (2x16 characters). ZL8AVR board comes with examples of Bascom programs.



Features

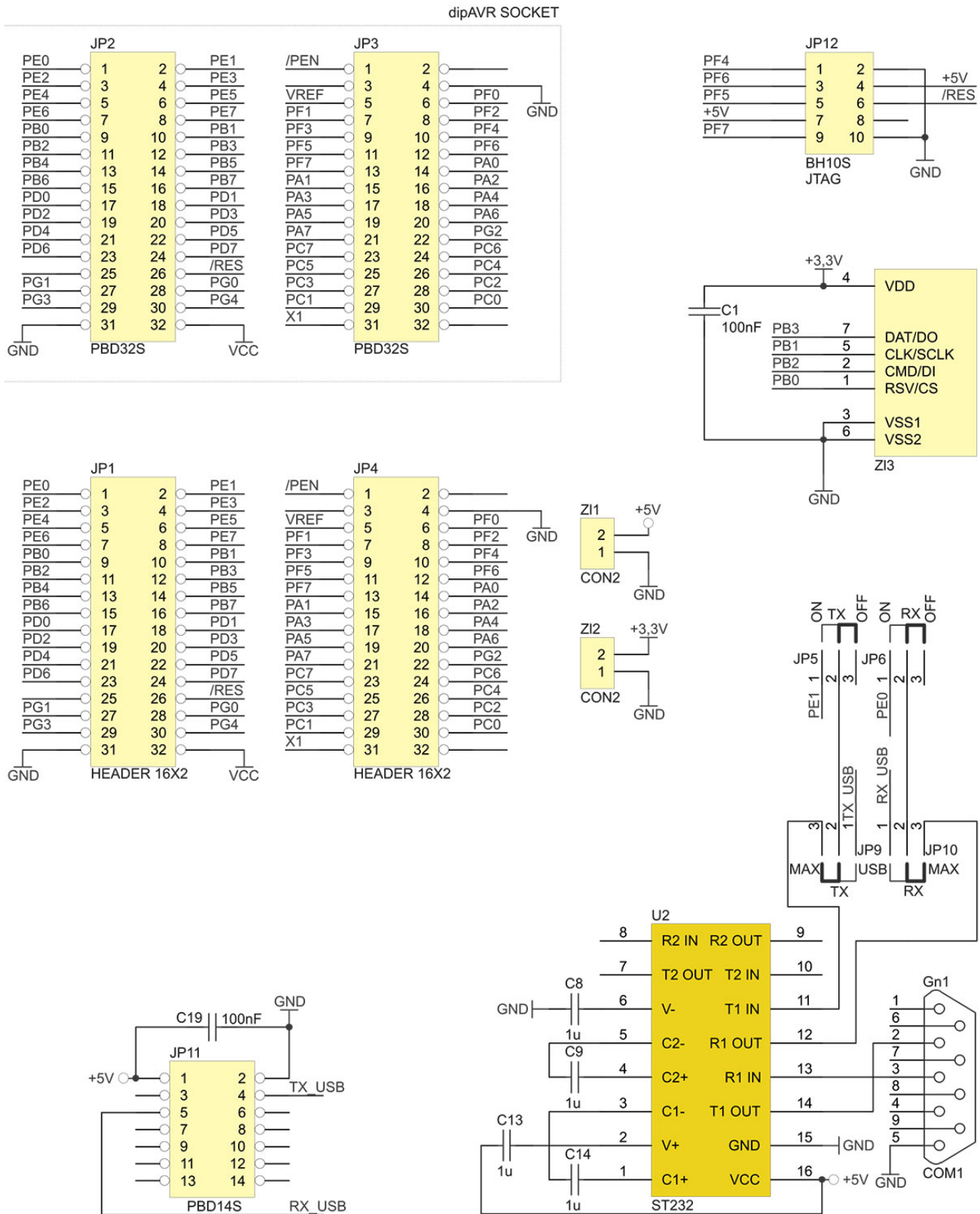
- RS232 interface (with level converter and DB9F connector)
- JTAG connector
- Built-in 5 V voltage regulator
- Socket for LCD 2x16 character display (LCD1602 module)
- 8 LEDs
- MMC Flash card connector
- 4 microswitches
- Socket for USB interface (ZL1USB module)
- Prototype design area
- USB (5 V) or external (9...12 VDC) power supply

Contents of the package

Code	Description
ZL8AVR	• ZL8AVR board (without microcontrollers and LCD display)

Complete schematic

Circuit diagram is shown on Fig. 1. Recommended supply voltage is 9 VDC (9...12 VDC) connected via standard power jack or USB_PWR connector (selectable by JP8). Polarisation of input voltage is not important - bridge rectifier guarantees proper board operation in both cases.



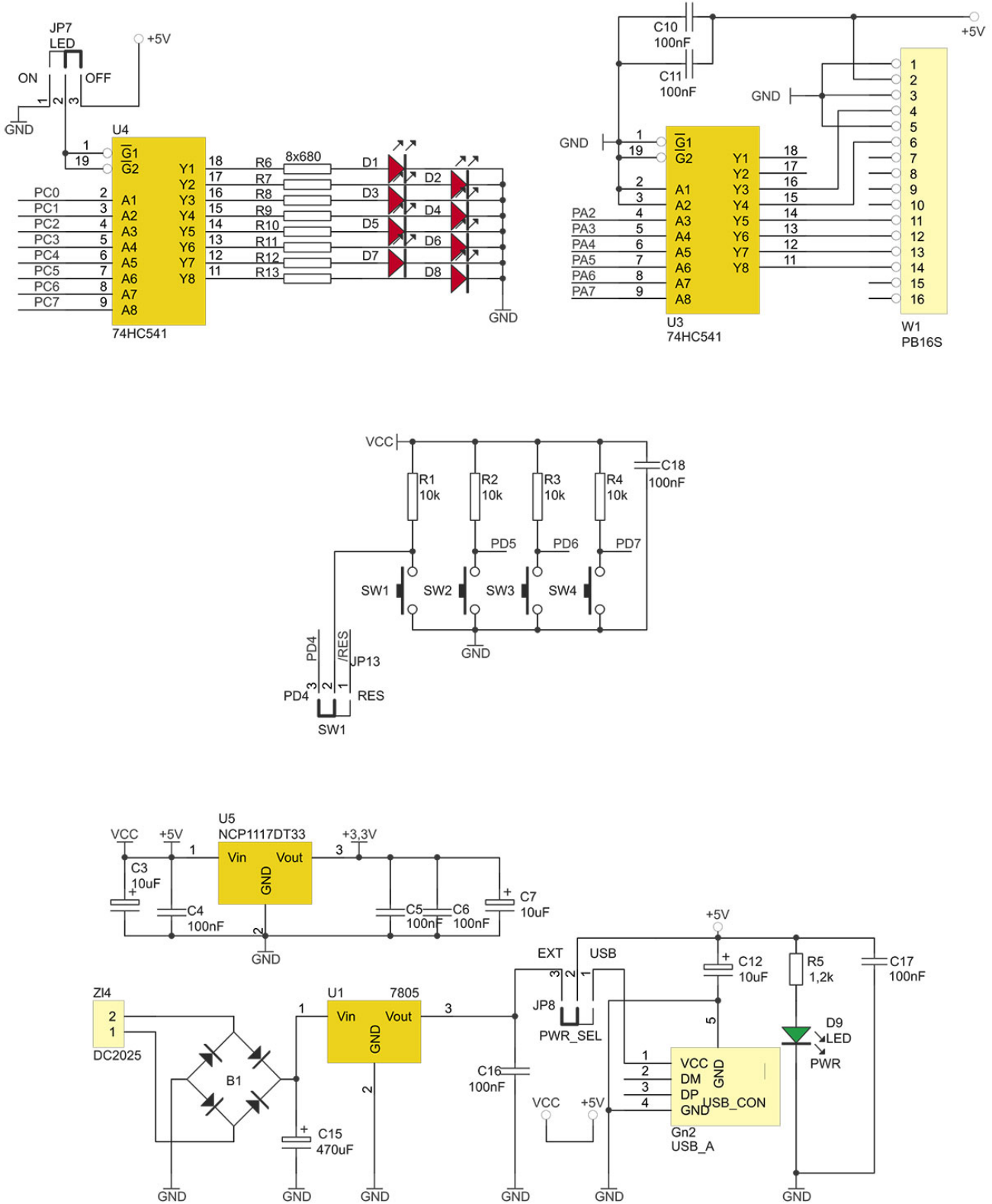
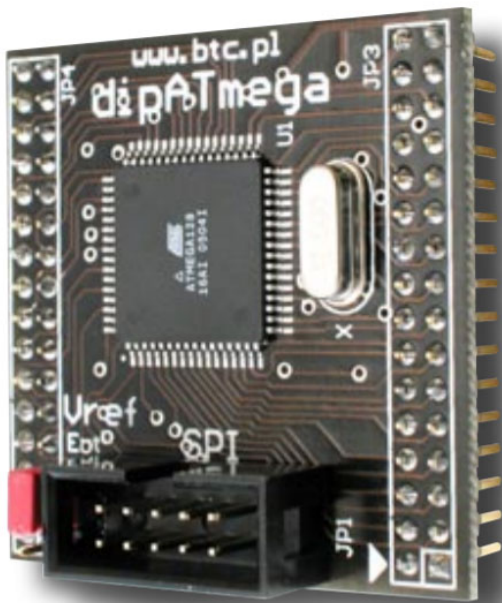


Fig. 1. Complete electric schematic of ZL8AVR board

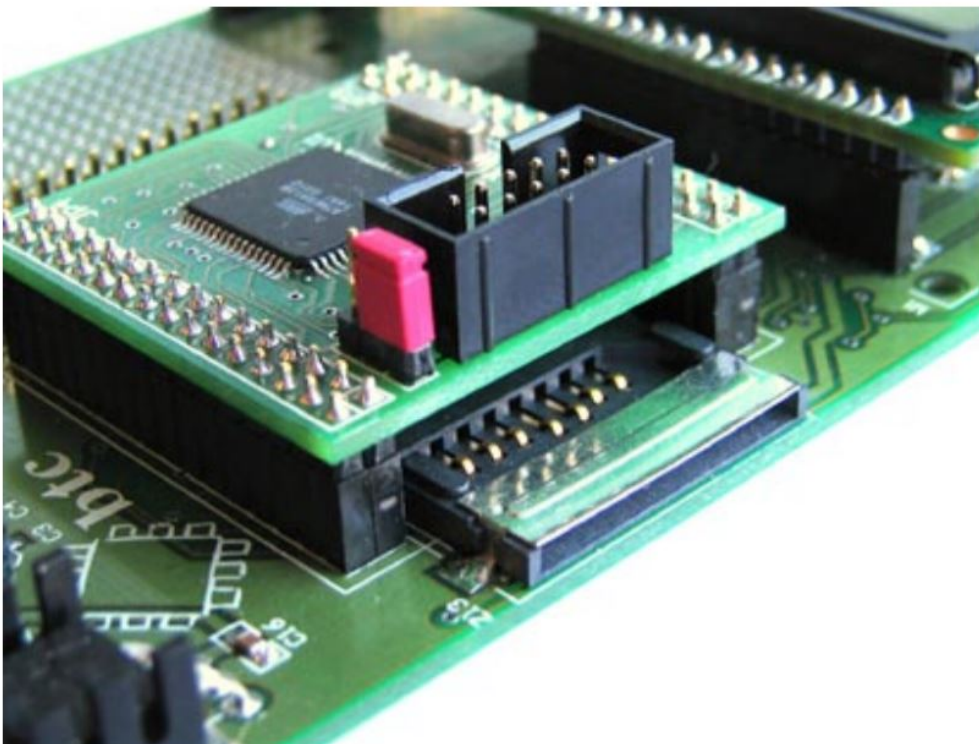
dipAVR module

JP2 and JP3 connectors make socket for dipAVT module with AVR microcontroller.

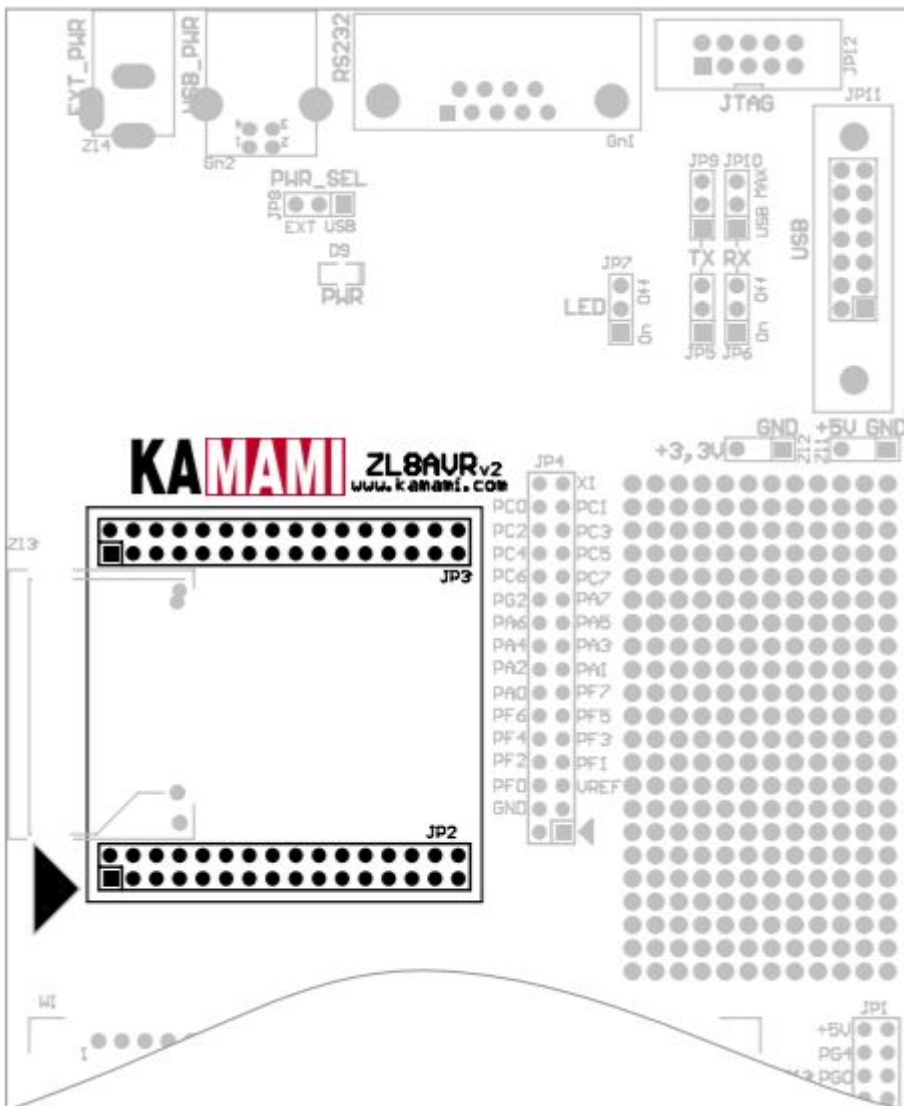
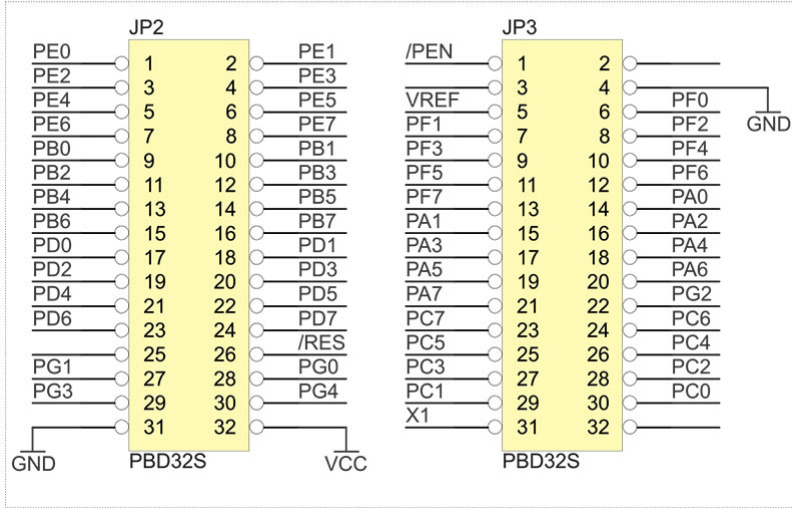
ZL7AVR - dipAVR module with ATmega128 microcontroller:



dipAVR module and ZL8AVR base board:



dipAVR SOCKET



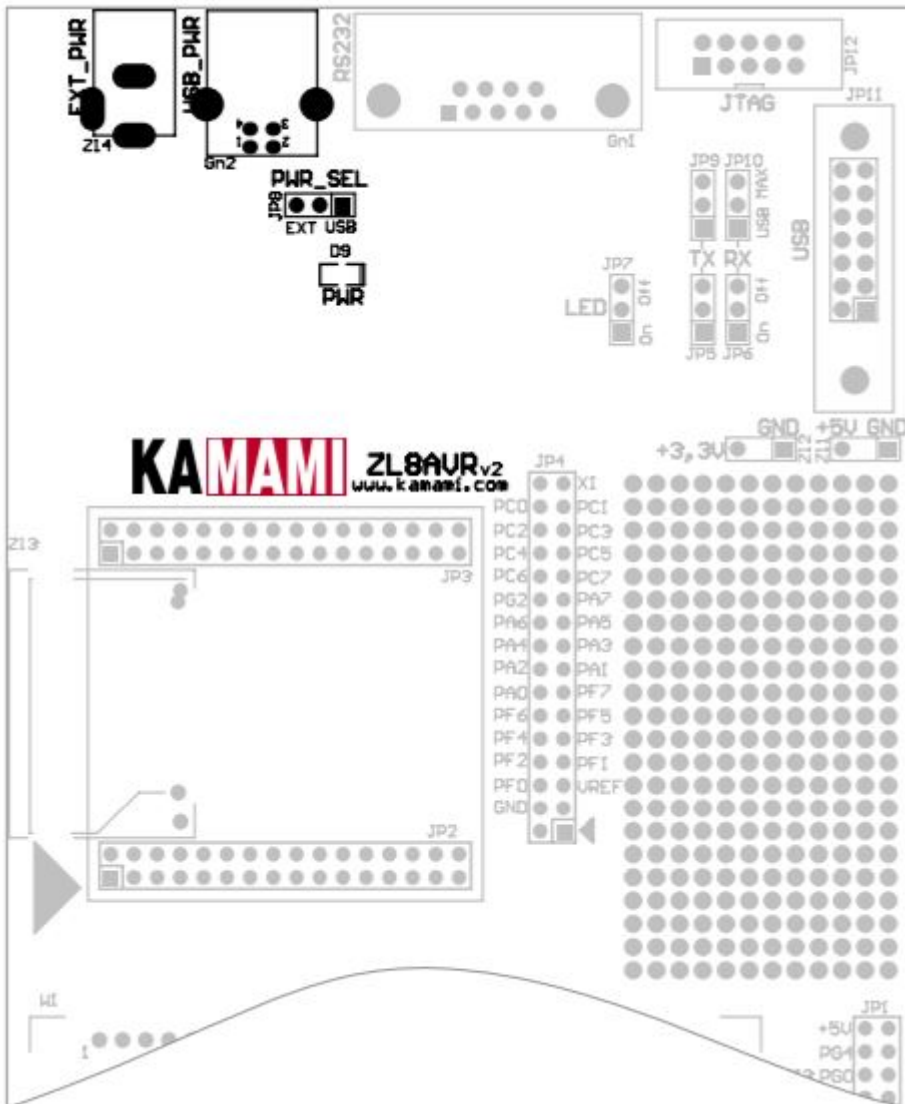
Power supply

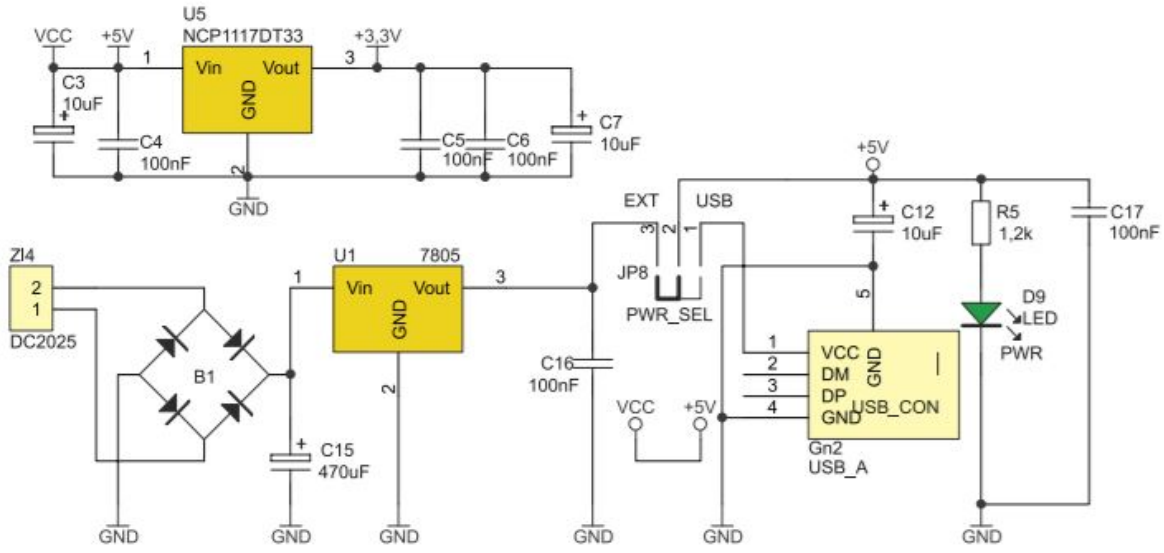
ZL8AVR can be powered from:

- power supply adaptor (9...12 VDC/VAC, 250 mA),
- USB port.

Power supply source selection (jumper JP8 - PWR_SEL)

JP8 position	EXT (2-3)	USB (1-2)
Power supply source	...EXT_PWR (ZL4)	...USB_PWR (Gn2)





Keyboard

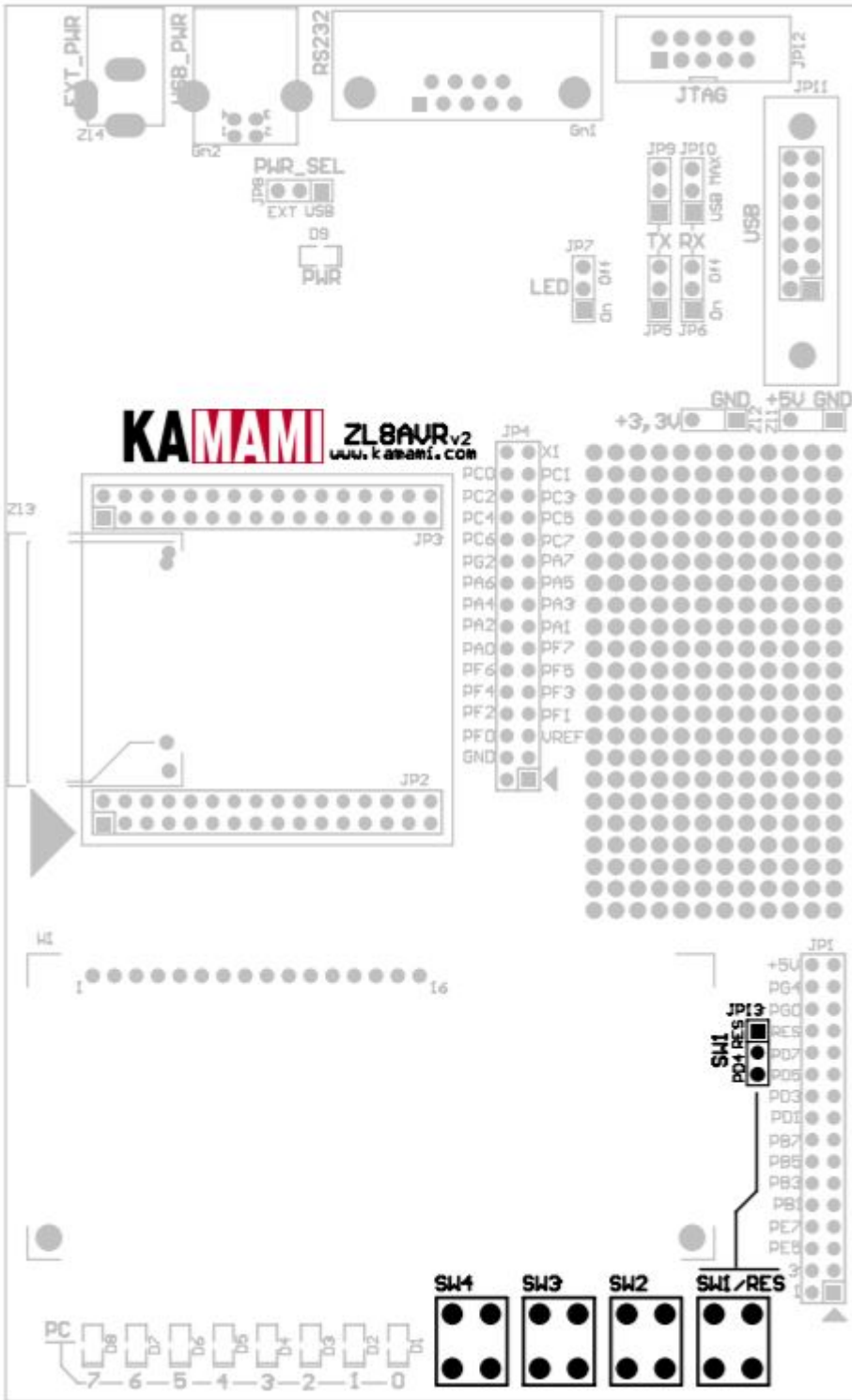
ZL8AVR has 4 switches. SW2...4 are connected to microcontroller port lines as shown in table. SW1 can be used as universal button or reset button (you can set its function by setting JP13 jumper)

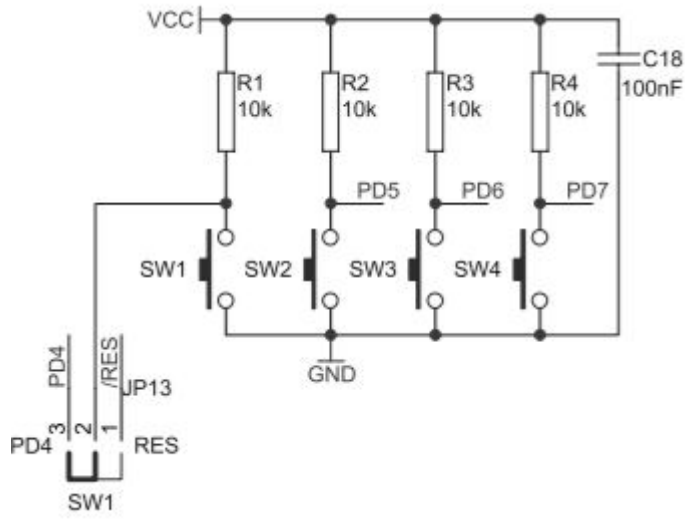
Buttons to microcontroller line assingment

AVR I/O line	PD7	PD6	PD5	PD4	RES
Switch	SW4	SW3	SW2	SW1 (Set by JP13)	SW1 (Set by JP13)

SW1 function

AVR I/O line	PD4	RES
JP13 position	PD4	RES





LEDs

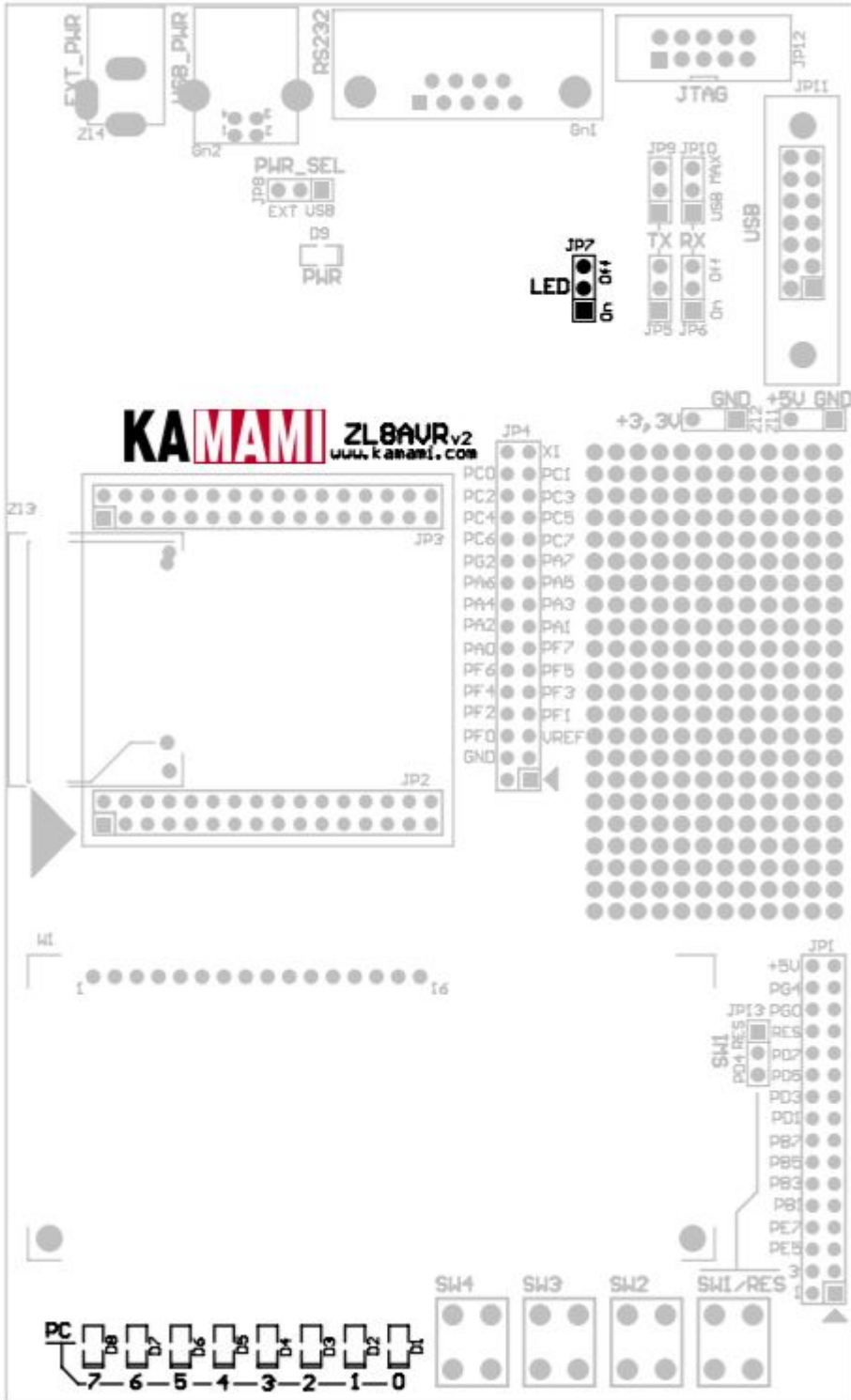
ZL8AVR is equipped with 8 LEDs, that show states of port PC lines. Jumper JP7 lets you turn on/off LEDs .

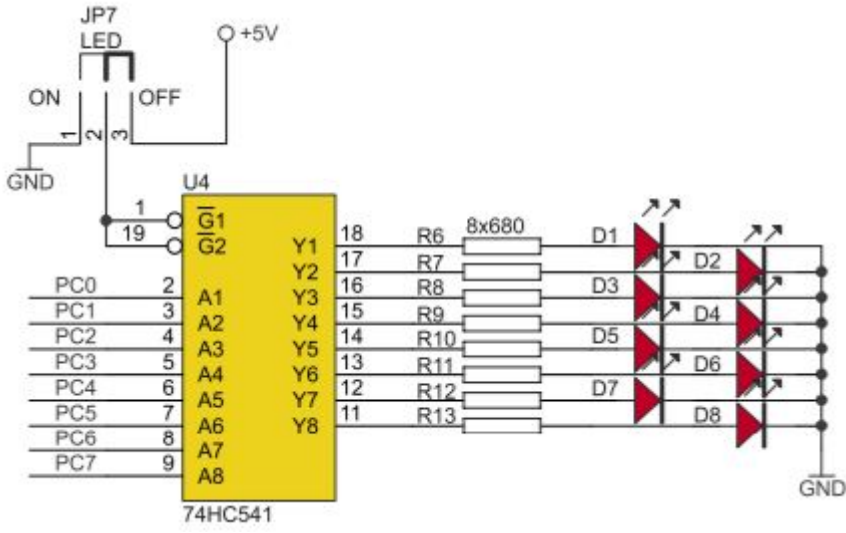
JP7 (LED) settings

Position	Description
On (1-2)	LEDs D1...D8 show PC0...7 states
Off (2-3)	LEDs D1...D8 disconnected

Connections between port PC lines and LEDs

AVR I/O line	PC7	PC6	PC5	PC4	PC3	PC2	PC1	PC0
LED	D8	D7	D6	D5	D4	D3	D2	D1



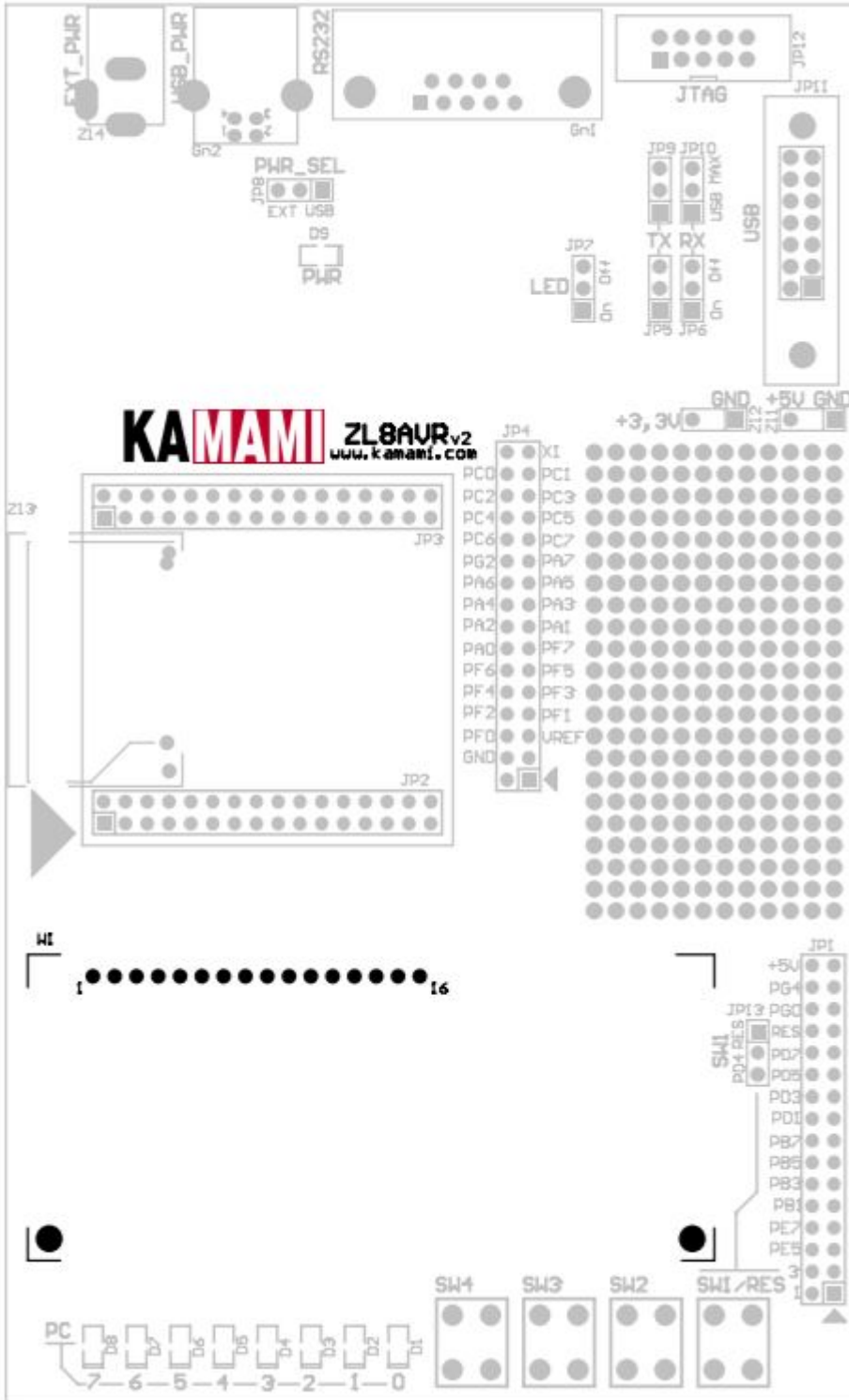


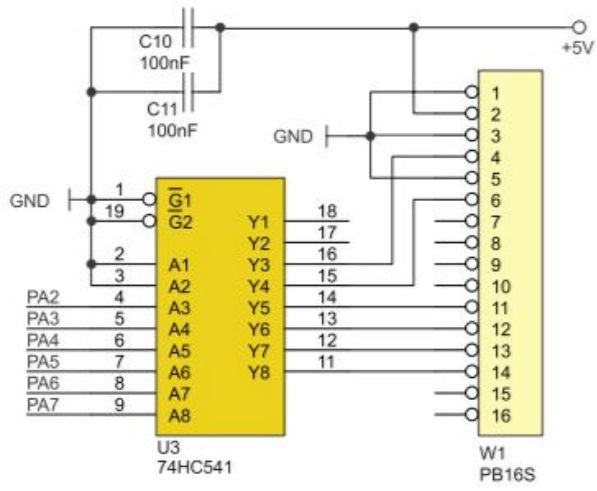
Alphanumeric LCD display

Standard LCD display with HD44780 controller (LCD1602 module) can be mounted in W1 socket.

Connections between microcontroller and display module

AVR I/O line	PA2	PA3	PA4	PA5	PA6	PA7
LCD module signal name	RS	E	D4	D5	D6	D7
LCD module pin	4	6	11	12	13	14





IRS232 and USB interfaces

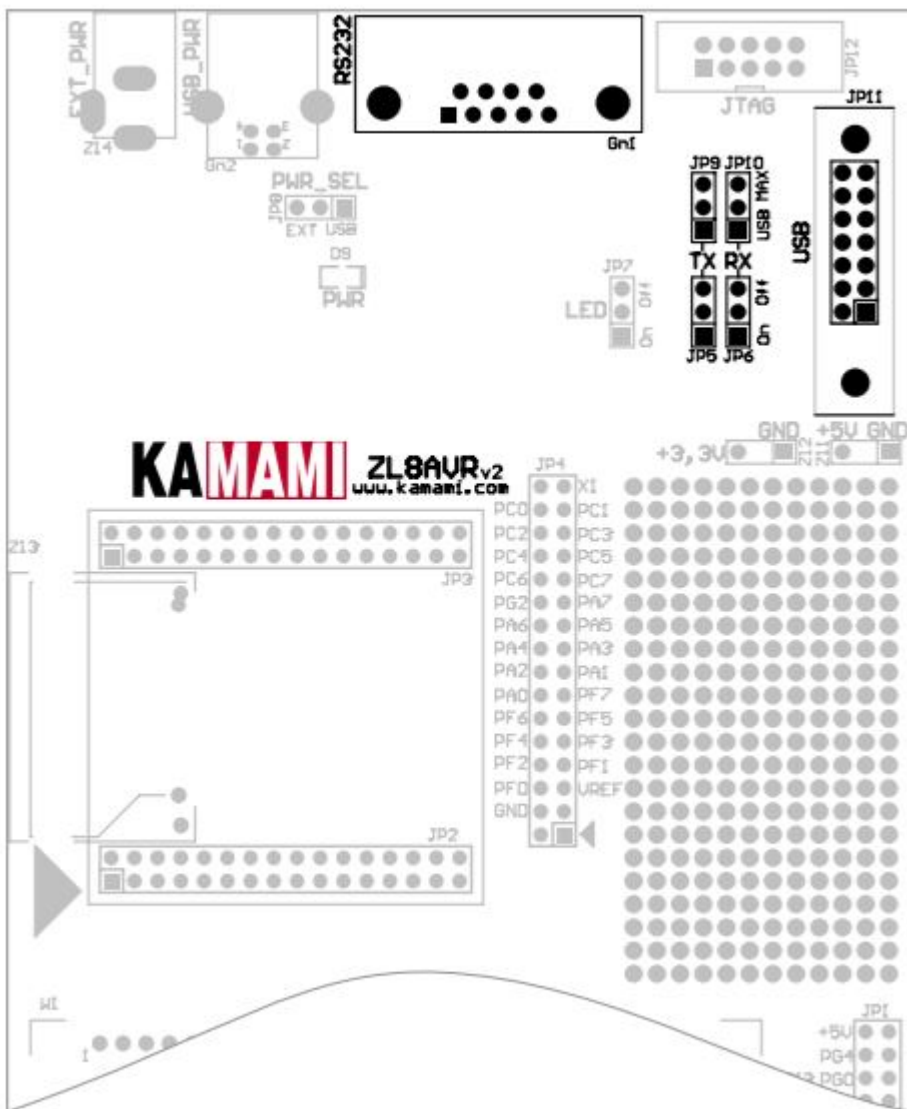
ZL8AVR has two serial communication interfaces:

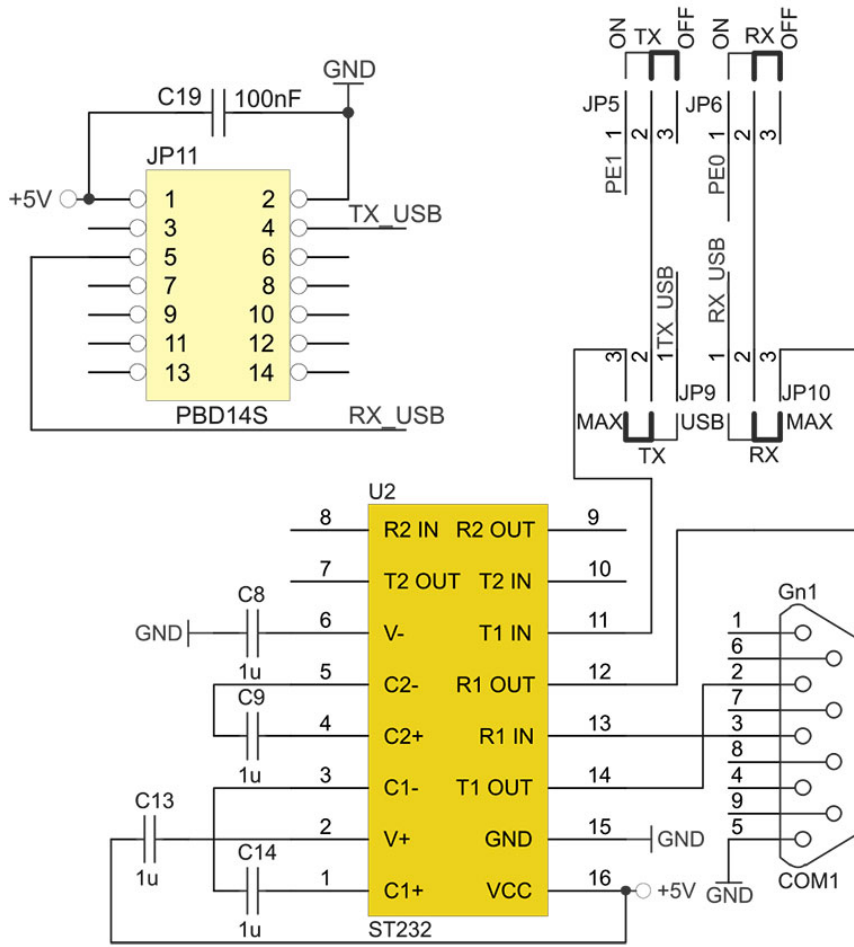
- Built-in RS232 interface (voltage converter U2),
- USB interface (eg. ZL1USB), optionally connected to JP11 header.

Depending on selected communication interface, lines PE0 and PE1 have to be configured by jumpers

Communication interface selectors (other jumpers configurations are not allowed)

Active port	JP5	JP6	JP9	JP10
USB	On	On	USB	USB
RS232	On	On	MAX	MAX
None	Off	Off	-	-



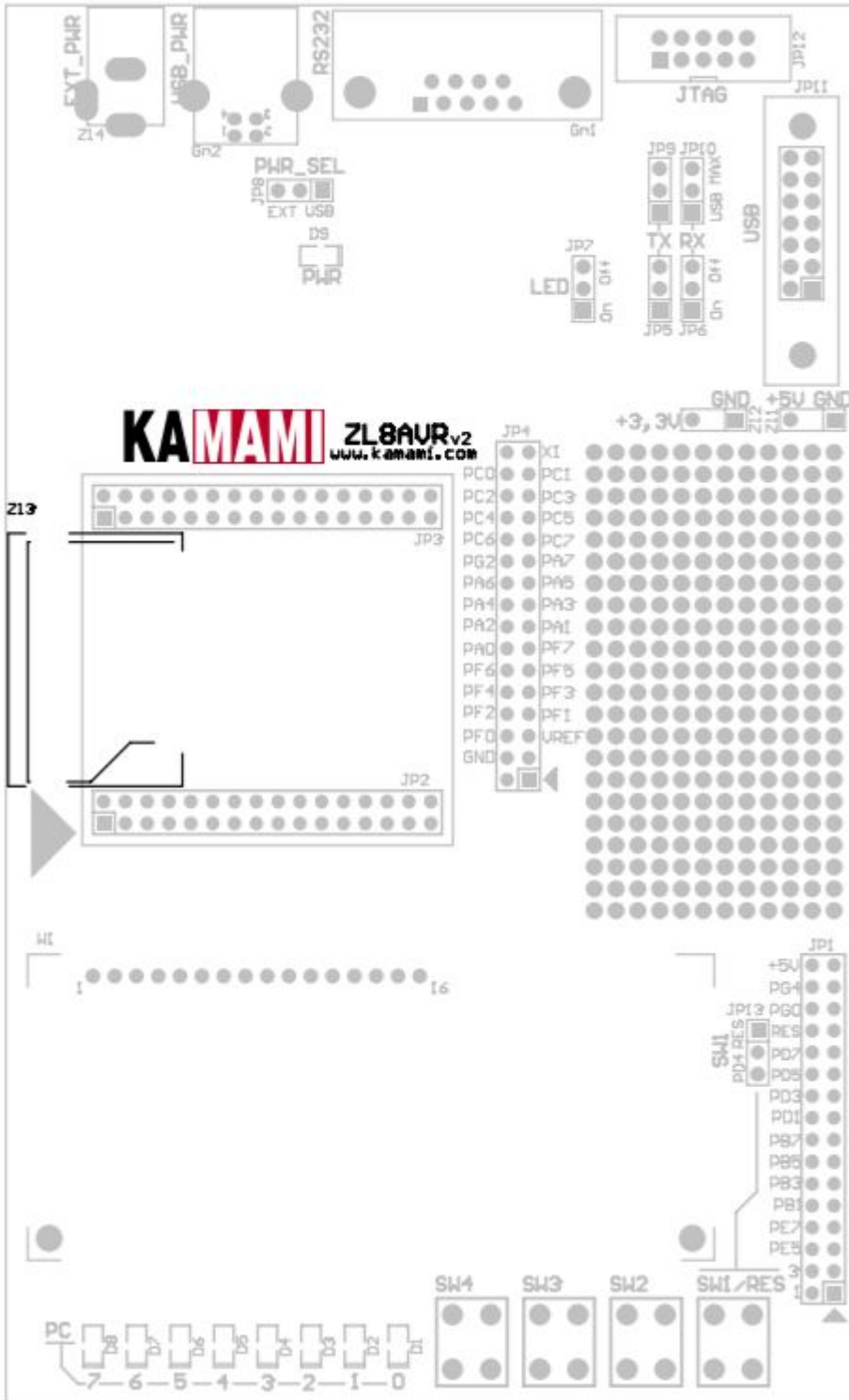


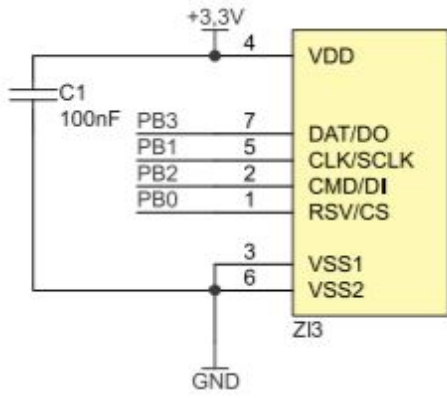
MMC card connector

ZL8AVR is equipped with MMC card connector. You can use cards with I/O interfaces that operate with at least 3.3 V voltage.

Connections between microcontroller and MMC card

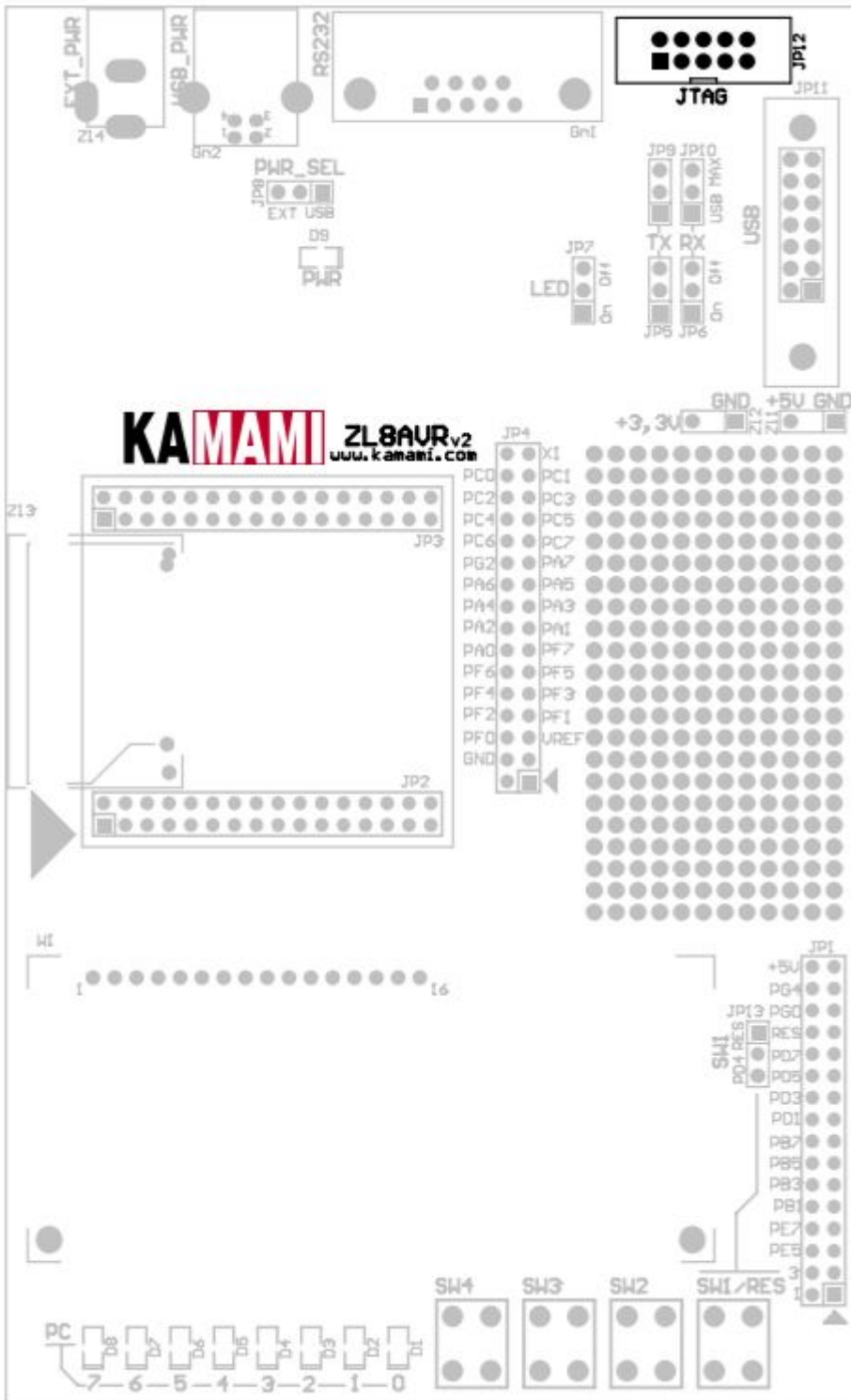
AVR I/O line	PB0	PB1	PB2	PB3
AVR signal name	/SS	SCK	MOSI	MISO
MMC card line	/CS	CLK	DataIn	DataOut

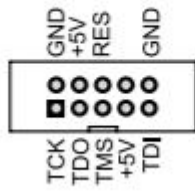
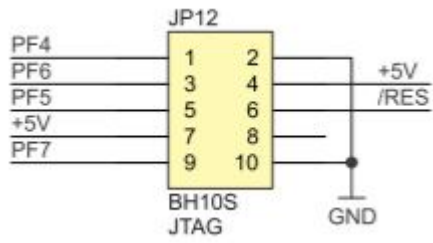




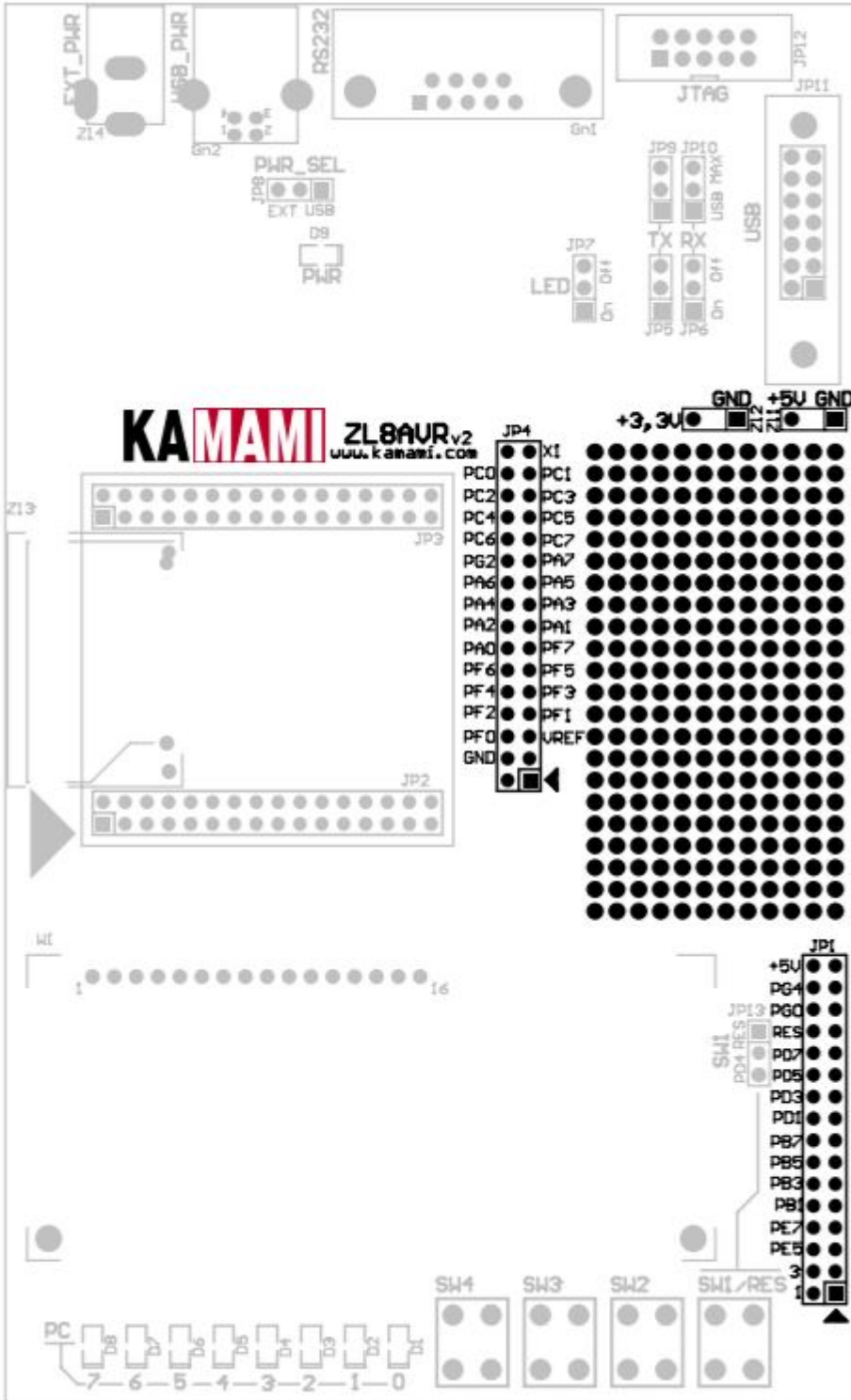
JTAG connector

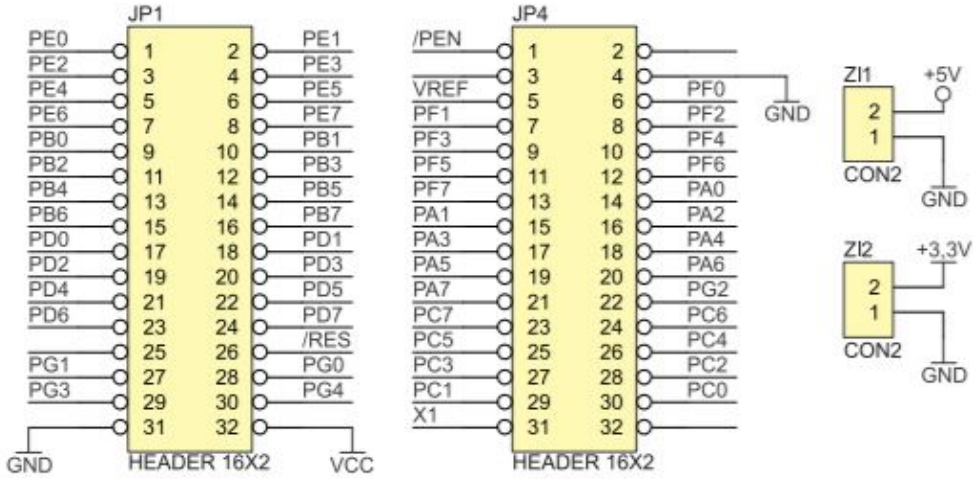
ZL8AVR is equipped with JP12 connector, that allows you to connect JTAG interface. Pin layout is compatible with Atmel JTAG standard





I/O headers







Zastrzegamy prawo do wprowadzania zmian bez uprzedzenia.

Oferowane przez nas płytki drukowane mogą się różnić od prezentowanej w dokumentacji, przy czym zmianom nie ulegają jej właściwości użytkowe.

BTC Korporacja gwarantuje zgodność produktu ze specyfikacją.

BTC Korporacja nie ponosi odpowiedzialności za jakiegokolwiek szkody powstałe bezpośrednio lub pośrednio w wyniku użycia lub nieprawidłowego działania produktu.

BTC Korporacja zastrzega sobie prawo do modyfikacji niniejszej dokumentacji bez uprzedzenia.